

FILTRI PER OLIO COMBUSTIBILE con vite di spurgo
FUEL OIL FILTERS with water drain valve



| Cod./Cod. | Descrizione/Description | Dim. | P.Max |
|--------------------|---|------|-----------------|
| OF015BV | 20306/10 Filtro Cartuccia inox 100µ 20306/10 Filter Stainless steel cartridge 100µ | 1/2" | 2bar |
| OF015BV-200 | 20306/20 Filtro Cartuccia inox 200µ 20306/20 Filter Stainless steel cartridge 200µ | 1/2" | 2bar |
| OF015BV-300 | 20306/30 Filtro Cartuccia inox 300µ 20306/30 Filter Stainless steel cartridge 300µ | 1/2" | 2bar |
| OF020BV | 20304/10 Filtro Cartuccia inox 100µ 20304/10 Filter Stainless steel cartridge 100µ | 3/4" | 2bar |
| OF020BV-200 | 20304/20 Filtro Cartuccia inox 200µ 20304/20 Filter Stainless steel cartridge 200µ | 3/4" | 2bar |
| OF020BV-300 | 20304/30 Filtro Cartuccia inox 300µ 20304/30 Filter Stainless steel cartridge 300µ | 3/4" | 2bar |
| OF025BV | 20301/10 Filtro Cartuccia inox 100µ 20301/10 Filter Stainless steel cartridge 100µ | 1" | 2bar |
| OFV025BV | 20301V10 Filtro biodiesel Cartuccia inox 100µ 20301V10 Biodiesel filter Stainless steel cartridge 100µ | 1" | 2bar (Viton) |
| OF025BV-200 | 20301/20 Filtro Cartuccia inox 200µ 20301/20 Filter Stainless steel cartridge 200µ | 1" | 2bar |
| OF025BV-300 | 20301/30 Filtro Cartuccia inox 300µ 20301/30 Filter Stainless steel cartridge 300µ | 1" | 2bar |

| Caratteristiche tecniche/Technical features | |
|---|--|
| Pmax - Inlet max | 2bar |
| Filtri - Filters | 100µ - 200µ - 300µ |
| Attacchi Inlet-Outlet Connection | 1/2" - 1/2" - 1" - ISO 228 |
| Temperatura di esercizio Working temperature | -20° C - +60° C |
| Utilizzo - Use | Olio combustibile / Fuel oil |
| Materiali/Materials: | |
| Corpo - Body | Die - Cast Aluminium Gd - AlSi12Cu - EN AB 46100 |
| Cartuccia Cartridge | Alluminio Stainless steel |

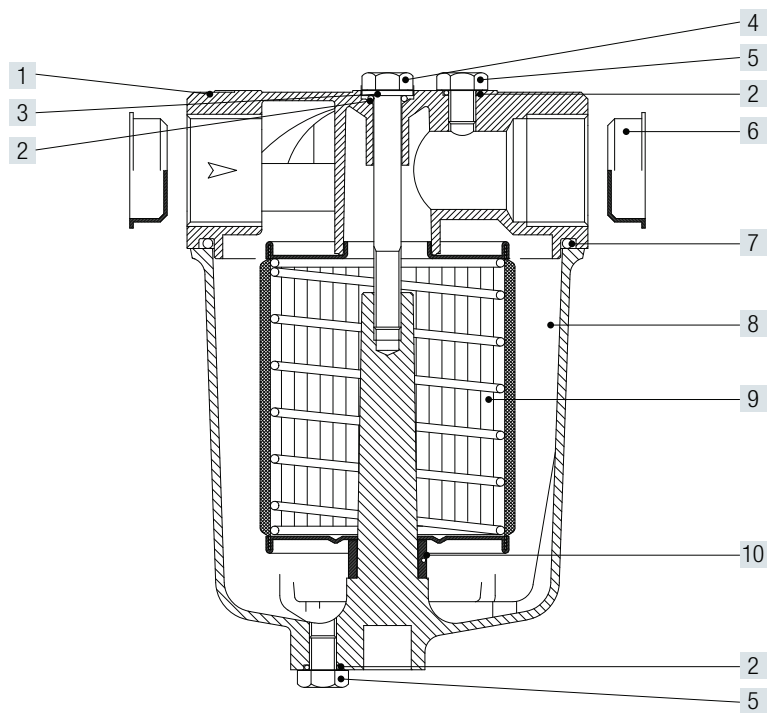
RICAMBI / SPARE PARTS

Cartucce filtranti / Filter cartridge

| Cod./Cod. | Mod./Mod. | Descrizione/Description |
|-----------------|-----------------|---|
| OFC100-6 | 20301/C1 | 100µ - Inox grecata (Corrugated stainless steel) cm² 300 |
| OFC200-6 | 20301/C2 | 200µ - Inox grecata (Corrugated stainless steel) cm² 300 |
| OFC300-6 | 20301/C3 | 300µ - Inox grecata (Corrugated stainless steel) cm² 530 |

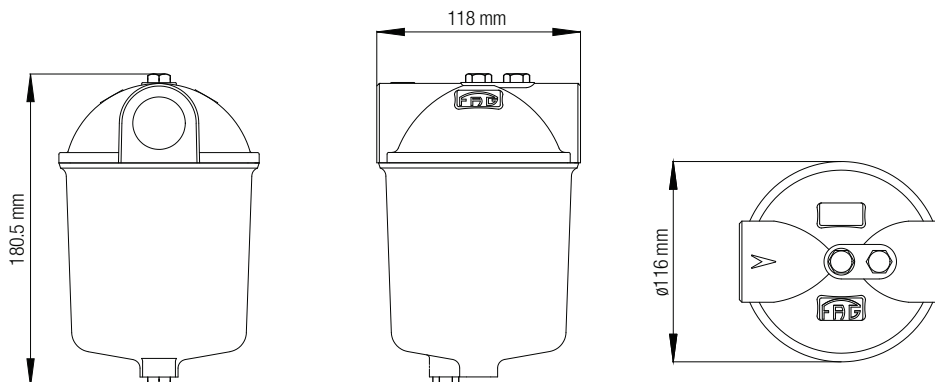
Kit guarnizioni / Gasket kit

| Cod./Cod. | Mod./Mod. | Descrizione/Description |
|--------------|-----------|--|
| OFG-6 | - | Kit guarnizioni per serie / Gasket kit for series 20300-20350 |



- 1** Coperchio - Cover
- 2** O-Ring - O-Ring
- 3** Rondella - Washer
- 4** Vite - Screw
- 5** Vite - Screw

- 6** Tappo - Screw cover
- 7** O-Ring - O-Ring
- 8** Vaschetta - Bowl
- 9** Cartuccia - Cartridge
- 10** Guarnizione o molla - Gasket or spring



| Dimensioni / Dimension | 1/2" | 3/4" | 1" |
|------------------------|------|------|-----|
| PESO / WEIGHT (g) | 910 | 880 | 850 |