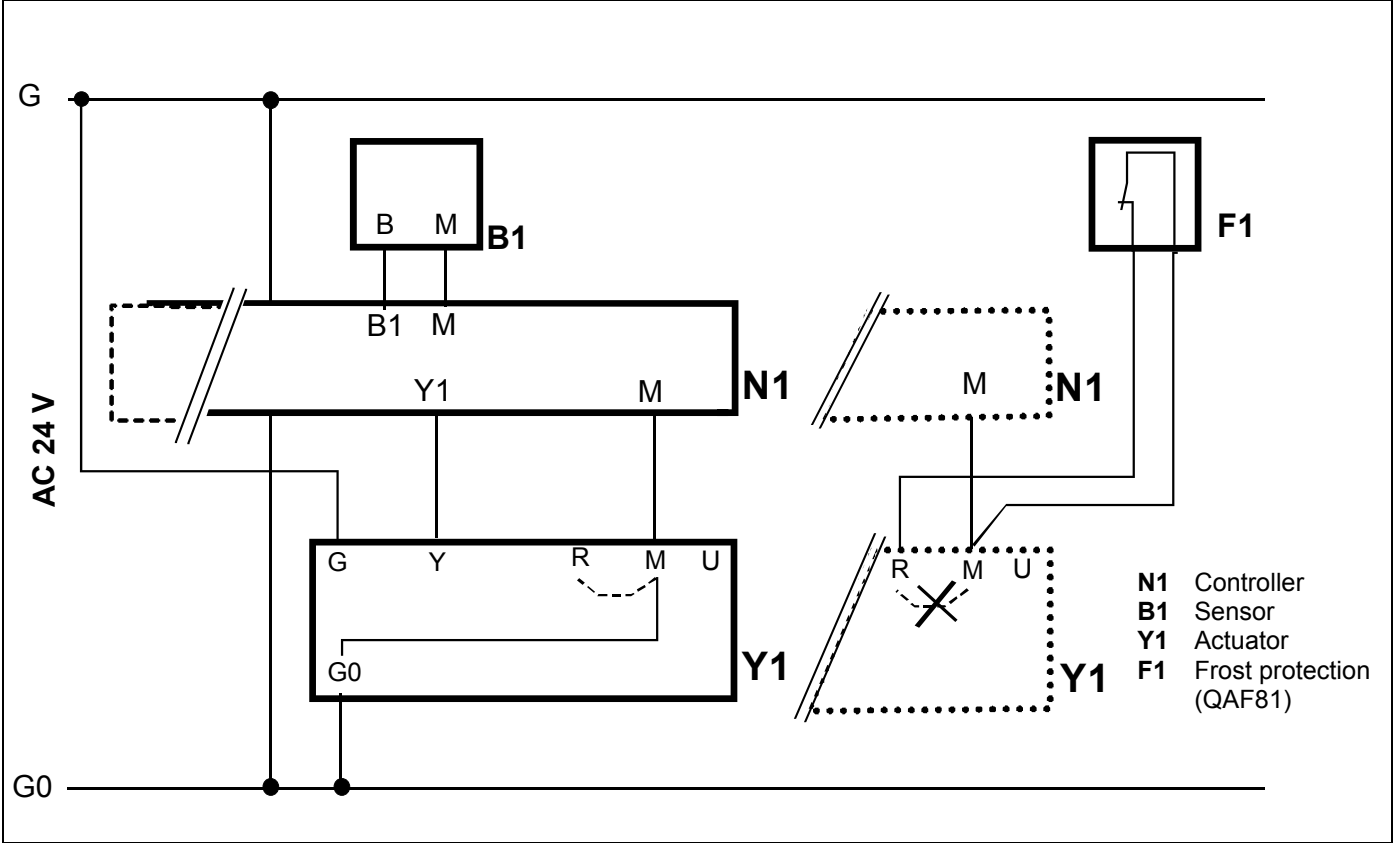
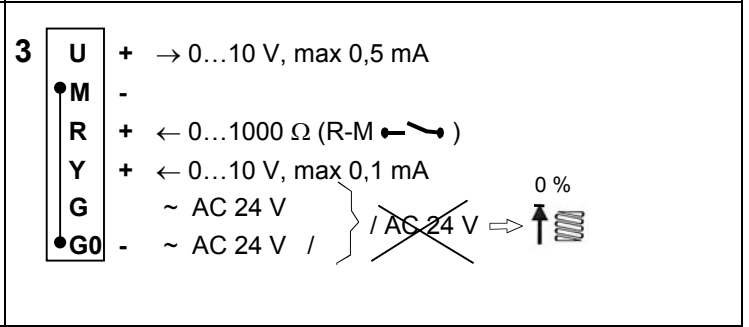
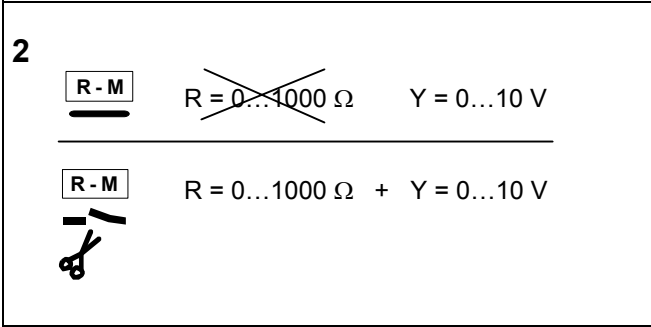
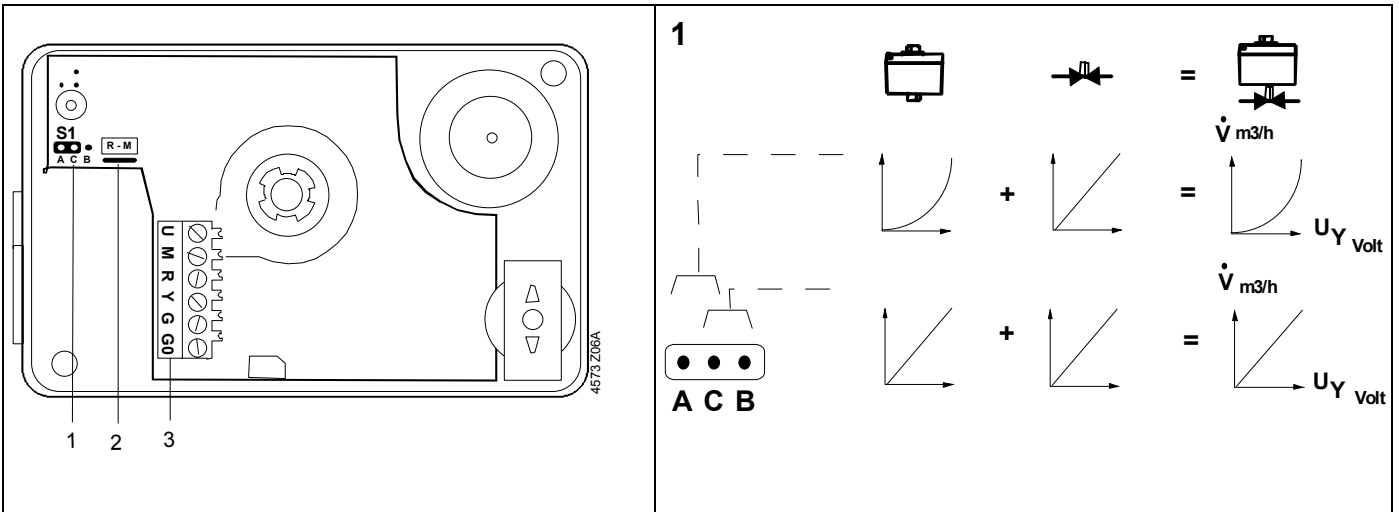


SQS65.5

SQS65.5



SQS65.5

400 N ↓

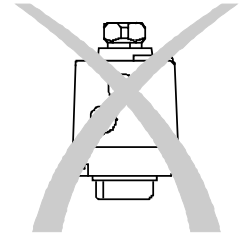
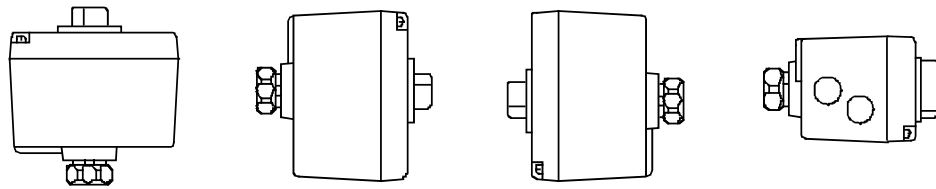
IP54

5,5 mm, 35 sec. ↓

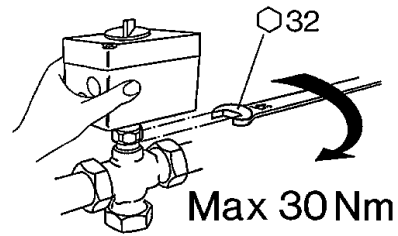
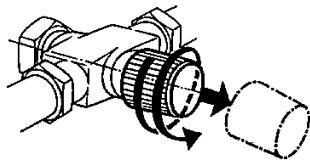
0...10 V + 0...1000 Ω

AC 24 V / ~~AG 24 V~~

0 %, 8 sec.



4573Z09



Max 30 Nm

